

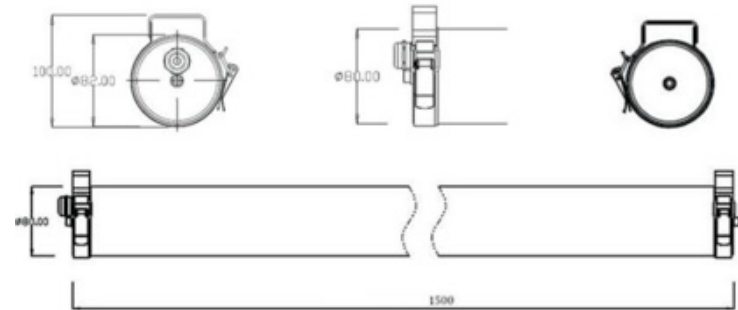


TUBES LED ETANCHES

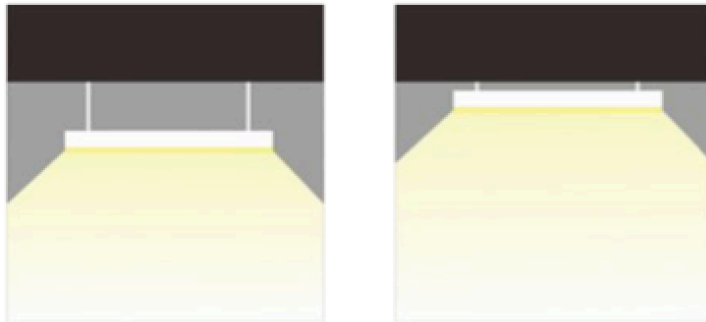
4 Dimensions disponible – ALU + PC - IP65 + IK10 – 130lm/W

Option DALI 1-10

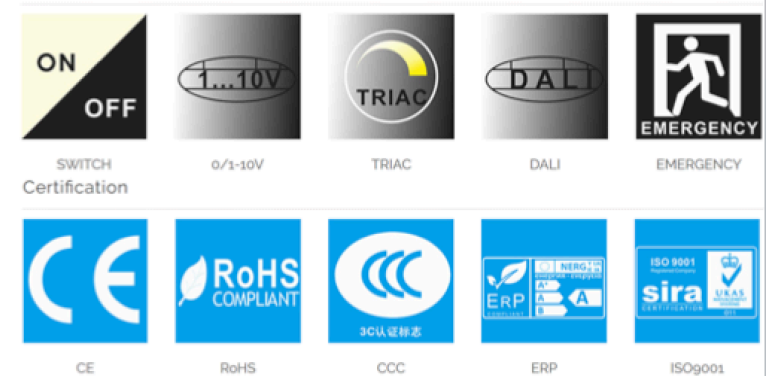
Garantie 3 ou 5 ans (selon modèle)



Options installations



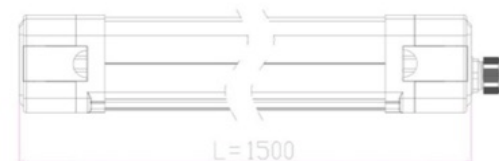
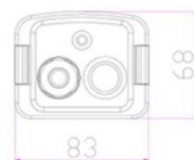
Dimension (mm)	Model No	Power (W)	LED	Lumen (lm)	Driver	Grade	Input (V)	Matériel
600xØ80	AYE-TP-P20W	20W	168 SMD2835	2500-2700lm	TUV Driver Tridonic	IP69K IP67 IK10	AC 220- 240V	PC MilkyOr Clear
900xØ80	AYE-TP-P30W	30W	264 SMD2835	3800-4000lm	TUV Driver Tridonic			
1200xØ80	AYE-TP-P40W	40W	336 SMD2835	5100-5300lm	TUV Driver Tridonic			
			432 SMD2835		TUV Driver Tridonic			
1500xØ80	AYE-TP-P60W	60W	SMD2835	7600-7800	TUV Driver Tridonic			



BARRES LED ETANCHES

4 Dimensions disponibles – ALU + PC - IP65 + IK10 – 130lm/W

Garantie 3 ou 5 ans (selon modèle)



Options installations



Dimension (mm)	Model No	Power (W)	LED	Lumen (lm)	LED Brand	Driver	Garantie
600x91x74	TP-U20W	20W	120 SMD2835	2500-2700lm	Sanan Epistar	CE Driver Lifud	3 5
900x91x74	TP-U30W	30W	168 SMD2835	3800-4000lm	Sanan Epistar	CE Driver Lifud	3 5
1200x91x74	TP-U40W	40W	240 SMD2835	5100-5300lm	Sanan Epistar	CE Driver Lifud	3 5
1500x91x74	TP-U60W	60W	336 SMD2835	7600-7800	Sanan Epistar	CE Driver Lifud	3 5

